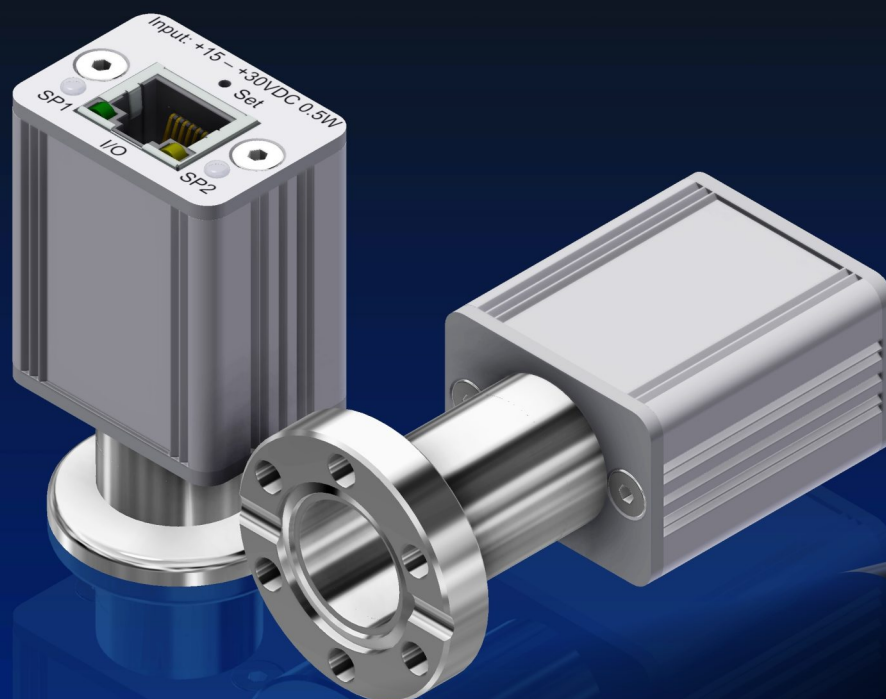


JEVAmet[®] PRM / PRM-S

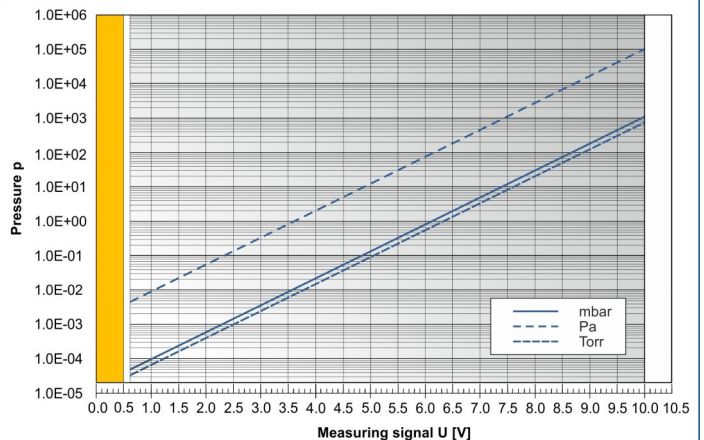
Active Pirani vacuum gauge

- active thermal conductivity vacuum meter according to Pirani
- solid and shielded Pirani measuring cell
- measuring cell replaceable at factory in case of failure or contamination
- logarithmic measuring signal output
- high reproducibility
- compact design
- optional switching point function with two programmable set points
- supply voltage +15 – +30 VDC
- vacuum connection via flange DN16KF or DN16CF
- compatible with vacuum controllers by JEVATEC, VACOM, LEYBOLD, PFEIFFER VACUUM and INFICON



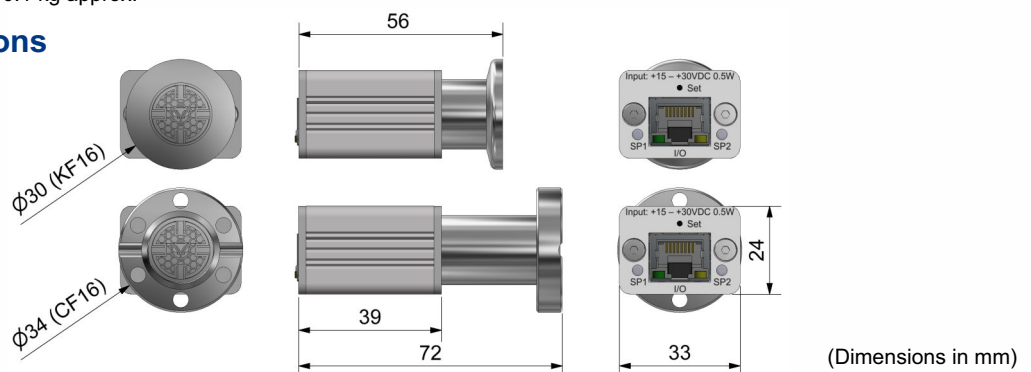
Technical Data

Vacuum measuring:	Measuring range:	$5 \cdot 10^{-4} - 1000$ mbar
	Display range:	$5 \cdot 10^{-5} - 1000$ mbar
	Measuring principles:	thermal conductivity according to Pirani
	Accuracy (N ₂):	$5 \cdot 10^{-4} - 1 \cdot 10^{-3}$ mbar ± 50 % of measuring value $1 \cdot 10^{-3} - 100$ mbar ± 15 % of measuring value $100 - 1000$ mbar ± 50 % of measuring value $1 \cdot 10^{-3} - 100$ mbar ± 1 % of measuring value $1 \cdot 10^{-3} - 100$ mbar ± 5 % of measuring value
Sensor:	Vacuum connection:	flange DN16KF or flange DN16CF
	Overpressure stability:	1.5 bar abs.
Material:	Materials in vacuum:	W, Au, glass, stainless steel 1.4301
Power supply:	Supply voltage:	+15 – +30 VDC (SELV-E according to EN 61010)
	Power consumption:	≤ 0.5 W
	Connection:	8-pin RJ45 (FCC 68)
	Measuring cable:	8-pin, shielded, 0,14 mm ² / wire, length ≤ 100 m
Identification:	Ident resistant:	27,0 kΩ (identification as TTR sensor)
	Compatibility:	JEVATEC – JEVAmet® VCU / VACOM – MVC-3 LEYBOLD – DISPLAY, CENTER, GRAPHIX series PFEIFFER VACUUM – CenterLine INFICON – series VGC400 and VGC500
		+0.61 – +10.00 VDC
Analog output:	Measuring signal:	+0.61 – +10.00 VDC
	Failure signal:	0 – +0.5 VDC
	Response time:	< 100 ms
	Signal and pressure relation:	1.286 VDC / Decade, logarithmic
		$p = 10^{((U-c)/1.286)}$ $U = c + 1.286 \cdot \log_{10} p$
		$c = 6.143$ für U[V] and p[mbar] $c = 3.572$ für U[V] and p[Pa] $c = 6.304$ für U[V] and p[Torr]
Switching function:	Number:	2 (1 potential-free normally open contact each)
	Connection:	8-pin RJ45 (FCC 68)
Environment:	Operation temperature:	+10 – +50 °C (sea level)
	Bakeout temperature:	80 °C max. at flange DN16KF or 150 °C max. at flange DN16CF
	Usage:	indoors only (max. 2000 m NN)
	Protection class:	IP40
Weight:		0.1 kg approx.



Switching function:	Number:	2 (1 potential-free normally open contact each)
	Connection:	8-pin RJ45 (FCC 68)
Environment:	Operation temperature:	+10 – +50 °C (sea level)
	Bakeout temperature:	80 °C max. at flange DN16KF or 150 °C max. at flange DN16CF
	Usage:	indoors only (max. 2000 m NN)
	Protection class:	IP40
Weight:		0.1 kg approx.

Dimensions



More information under:

JEVATEC GmbH
 D-07743 Jena, Schreckenbachweg 8
 Phone: +49 3641 3596-0
 Fax: +49 3641 3596-39
 E-mail: info@jevatec.de

JEVATEC
 Ideen in der Vakuumtechnik
 www.jevatec.de

