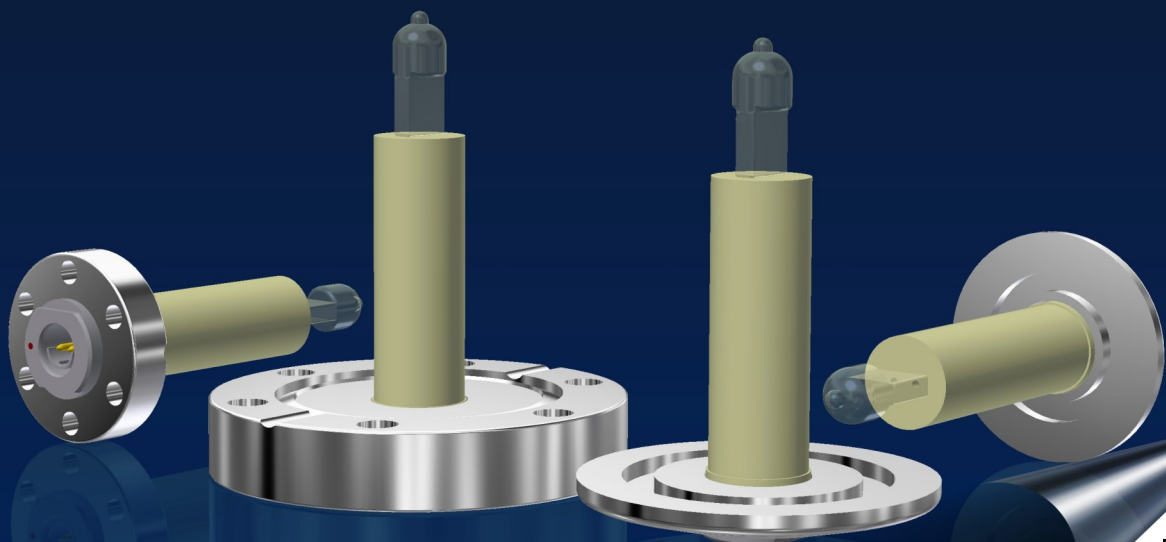




JEVALux[®] FHL

Flange-mounted vacuum chamber illumination

- Vacuum feedthrough optionally available on flange DN25KF, DN40KF, DN16CF and DN40CF
- Halogen lamp (socket G4) 24 V / 20 W on ceramic bracket
- easy to assemble
- power supply voltage +24 VDC
- depending on version with plug-in power supply or 5 m cable with angled connector alternatively



Versions

JEVALux® FHL-25K-PS / JEVALux® FHL-40K-PS / JEVALux® FHL-16C-PS / JEVALux® FHL-40C-PS

Flange-mounted halogen vacuum chamber illumination on stainless steel flange DN25KF, DN40KF, DN16CF or DN40CF;
Plug-in power supply 24 VDC with connecting cable 1.80 m and straight connector at flange

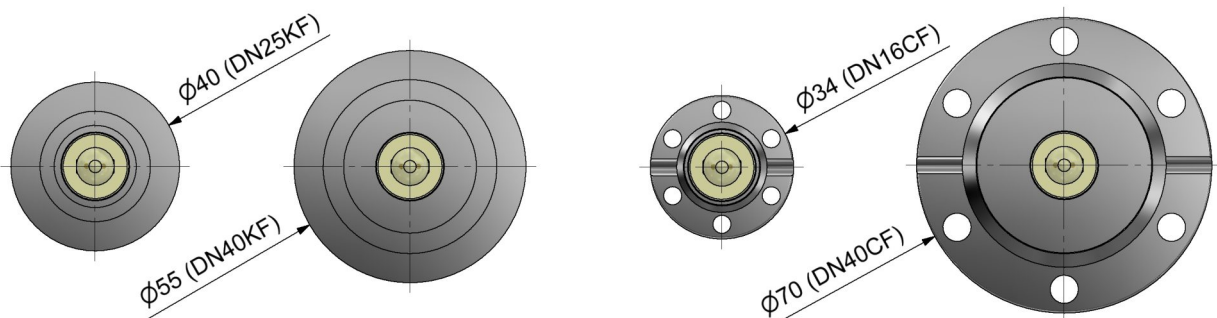
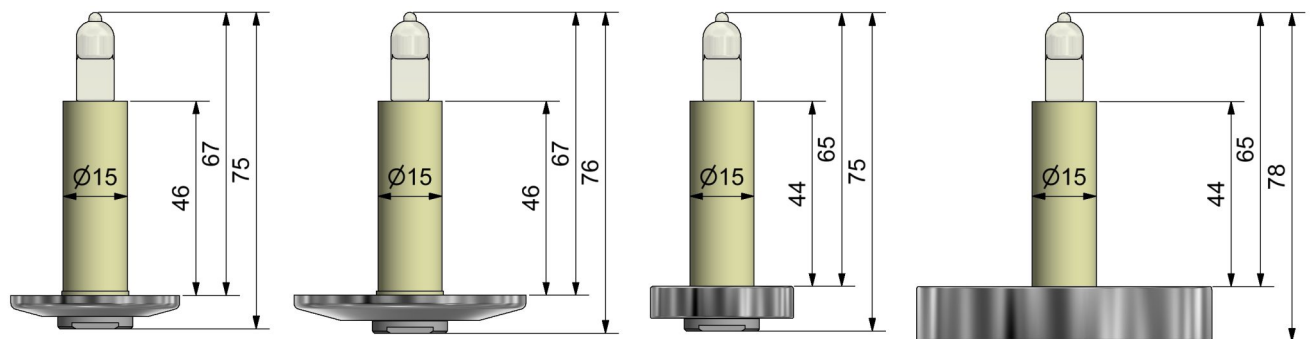
JEVALux® FHL-25K-L / JEVALux® FHL-40K-L / JEVALux® FHL-16C-L / JEVALux® FHL-40C-L

Flange-mounted halogen vacuum chamber illumination on stainless steel flange DN25KF, DN40KF, DN16CF or DN40CF;
connecting cable 5 m and angled connector at flange

Technical Data

Light source:	Model:	OSRAM Halogen G4
	Luminous flux:	300 lm
	Color temperature:	2800 K
Vacuum connection:	Flange:	KF standard DN25KF or DN40KF CF standard DN16CF or DN40CF other flange sizes (except DN16KF) on request
	Mounting position:	arbitrary
Material:	Medium-contacting materials:	stainless steel 1.4301, copper, gold, ceramic, PEEK, Viton® O-ring, glass (Halogen lamp)
Mains connection	Voltage:	+24 VDC
	Power consumption:	20 W
	Connection:	fischer Connectors DEE 103
Environment:	Pressure range:	1·10 ⁻⁹ – 1500 mbar
	Temperature:	Storage: -20 – +60 °C Operation: +5 – +45 °C (sea level)
	Degassing temperature:	180 °C max. at flange
	Relative humidity:	80 % max. (to 30 °C) decreasing to 50 % max. (over 40 °C)
	Usage:	indoors (altitude 2000 m above sea level)
	Protection class:	IP40 (in mounted condition)
Weight:	model dependent	

Dimensions



(Dimensions in mm)

More information under:

JEVATEC GmbH

D-07743 Jena, Schreckenbachweg 8

Phone: +49 3641 3596-0

Fax: +49 3641 3596-39

E-mail: info@jevatec.de

JEVATEC

Ideen in der Vakuumtechnik

www.jevatec.de

