

JEVALux[®] FLL-40K-PG

LED recipient lighting with protective glass

- light conductor on flange DN40KF
- easily replaceable protective glass above light conductor
- especially suitable for use in coating plants
- powerful LED as light source outside the vacuum chamber
- light coupling via glass cylinder in four different lengths
- perfect illumination by light scattering at the end of cylinder
- quickly mountable
- no heating by light source inside the vacuum chamber
- low power input
- power supply voltage +12 – +24 VDC
- optionally with plug-in power supply and switch for two brightness levels or 5 m cable with angled connector alternatively



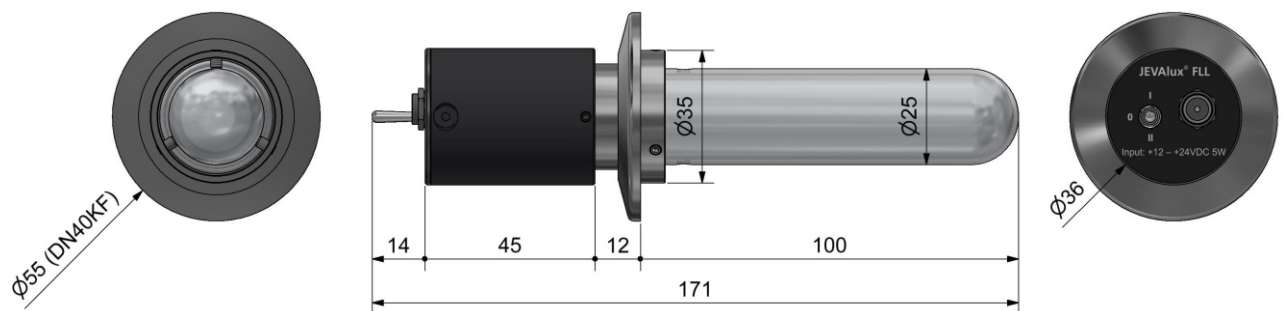
Versions

- JEVALux® FLL-40K-100-PG-PS** LED vacuum chamber illumination with protective glass on stainless steel flange DN40KF
Installation depth 100 mm from sealing surface of flange
Change-over switch for two brightness levels
Plug-in power supply 24 VDC with connecting cable 1.80 m and straight connector on flange
- JEVALux® FLL-40K-100-PG-L** LED vacuum chamber illumination on stainless steel flange DN40KF
Installation depth 100 mm from sealing surface of flange
Connecting cable 5 m and angled connector at flange

Technical Data

Light source:	Model:	LED
	Luminous flux:	550 lm max.
	Color temperature:	6000 K
Vacuum connection:	Flange:	KF standard DN40KF
	Mounting position:	arbitrary
	Installation depth:	100 mm (measured from the sealing face of the flange)
Material:	Medium-contacting materials:	Stainless steel 1.4301 AR-GLAS® BondLock® 0185, extremely low gas emission
Mains connection:	Voltage:	+12 – +24 VDC
	Power consumption:	5 W max.
	Connection:	power socket for plug-in power supply
Environment:	Pressure range:	1·10 ⁻⁹ – 1500 mbar
	Temperature:	Storage: -20 – +60 °C Operation: +5 – +45 °C (sea level)
	Degassing temperature:	80 °C max. at flange
	Relative humidity:	80 % max. to 30 °C) decreasing to 50 % max. (over 40 °C)
	Usage:	indoors (altitude 2000 m above sea level)
	Protection class:	IP40 (in mounted condition)
Weight:		0,25 kg approx.

Dimensions



(Dimensions in mm)

More information under:

JEVATEC GmbH
D-07743 Jena, Schreckenbachweg 8
Phone: +49 3641 3596-0
Fax: +49 3641 3596-39
E-mail: info@jevatec.de

JEVATEC
Ideen in der Vakuumtechnik
www.jevatec.de

