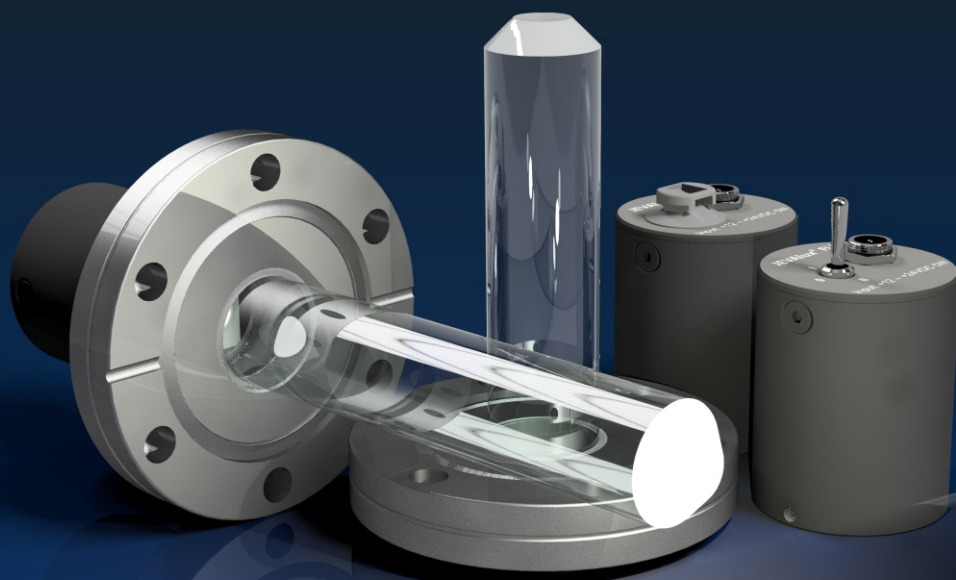


# JEVALux<sup>®</sup> FLL-40C

Flange-mounted LED vacuum chamber illumination

- easy-to-clean light conductor on flange DN40CF
- powerful LED as light source outside the vacuum chamber
- light coupling via glass cylinder in four different lengths
- perfect illumination by light scattering at the end of cylinder
- quickly mountable
- no heating by light source inside the vacuum chamber
- low power input
- power supply voltage +12 – +24 VDC
- optionally with plug-in power supply and switch for two brightness levels or 5 m cable with angled connector alternatively



## Versions

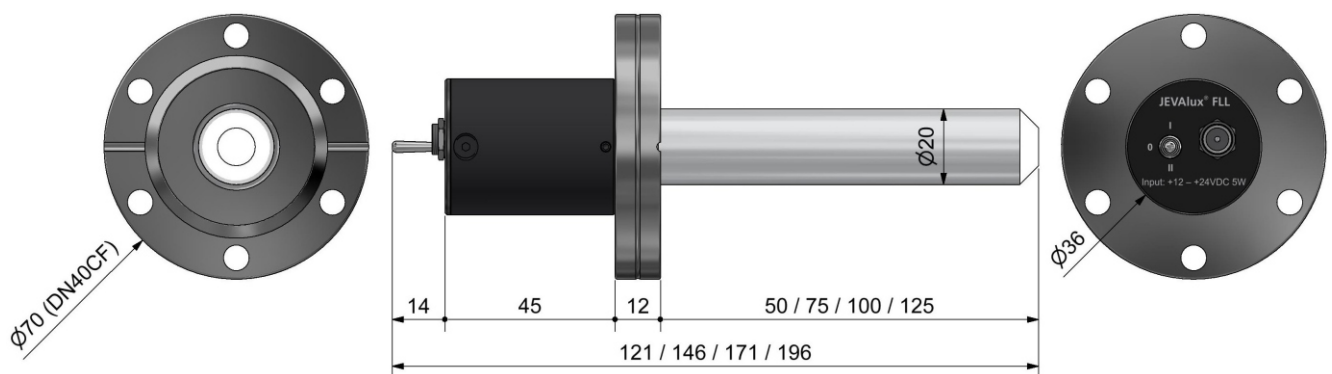
**JEVALux® FLL-40C-xxx-PS** LED vacuum chamber illumination on stainless steel flange DN40CF  
installation depth (xxx) 50, 75, 100 or 125 mm (measured from the sealing face of the flange)  
switch for two brightness levels  
plug-in power supply 24 VDC with connecting cable 1.80 m and straight connector at flange

**JEVALux® FLL40C-xxx-L** LED vacuum chamber illumination on stainless steel flange DN40CF  
installation depth (xxx) 50, 75, 100 or 125 mm (measured from the sealing face of the flange)  
connecting cable 5 m and angled connector at flange

## Technical Data

<b>Light source:</b>	Model:	LED
	Luminous flux:	550 lm max.
	Color temperature:	6000 K
<b>Vacuum connection:</b>	Flange:	CF standard DN40CF
	Mounting position:	arbitrary
	Installation depth:	50, 75, 100 or 125 mm (measured from the sealing face of the flange)
<b>Material:</b>	Medium-contacting materials:	Stainless steel 1.4104 AR-GLAS® BondLock® 0185, extremely low gas emission
<b>Mains connection:</b>	Voltage:	+12 – +24 VDC
	Power consumption:	5 W max.
	Connection:	power socket for plug-in power supply
<b>Environment:</b>	Pressure range:	1·10 <sup>-9</sup> – 1500 mbar
	Temperature:	Storage: -20 – +60 °C Operation: +5 – +45 °C (sea level)
	Degassing temperature:	80 °C max. at flange
	Relative humidity:	80 % max. to 30 °C) decreasing to 50 % max. (over 40 °C)
	Usage:	indoors (altitude 2000 m above sea level)
<b>Weight:</b>	Protection class:	IP40 (in mounted condition)
		0,25 kg approx.

## Dimensions



(Dimensions in mm)

## More information under:

**JEVATEC GmbH**  
D-07743 Jena, Schreckenbachweg 8  
Phone: +49 3641 3596-0  
Fax: +49 3641 3596-39  
E-mail: [info@jevatec.de](mailto:info@jevatec.de)

**JEVATEC**  
Ideen in der Vakuumtechnik  
[www.jevatec.de](http://www.jevatec.de)

